

PRATICO

WORKING STATION

 FIBERNET



Adjustable heights
Umbrella and closure holder
Wheels for an easy transport

PRATICO

WORKING STATION

Code:TAVPRATICOSTD

**3 ADJUSTABLE
HEIGHTS**

JOINT COVERS SPACE

ABS SURFACE

ADJUSTABLE FEET



ACCESSORIES

**FIXING CLAMP
FOR CLOSURES**

Closure can be either fixed
horizontally or vertically

Code:TAVKITMUF

**UMBRELLA
HOLDER**

Code:TAVKITPO

KIT TROLLEY

Can be also used to carry
equipment

Code:TAVKITTRL

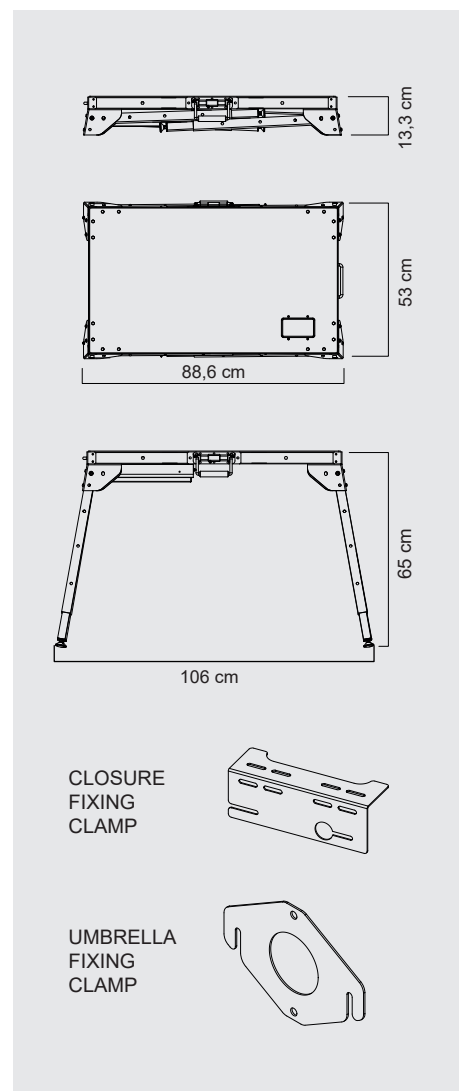
**DRAWER TO
STORE EQUIPMENT**

Code: TAVKITCAS



TECHNICAL SPECIFICATIONS

STRUCTURE MATERIAL	Steel
WORKING SURFACE	ABS 3mm
WIDTH	88,6 cm
DEPTH	53 cm
ADJUSTABLE HEIGHTS	65/77/90 cm
HEIGHT (CLOSED)	13,3 cm
WEIGHT	14 Kg (without accessories)



- 1 ABS SURFACE
- 2 ADJUSTABLE HEIGHTS FROM 65 TO 90 cm
- 3 ADJUSTABLE FEET
- 4 HANDLE FOR EASY TRANSPORT
- 5 JOINT COVERS COMPARTMENT
- 6 DRAWER TO STORE EQUIPMENT
- 7 HANDLE FOR TROLLEY VERSION
- 8 CLOSURE CLAMP
- 9 UMBRELLA HOLDER
- 10 WHEELS FOR A HANDY TRANSPORT